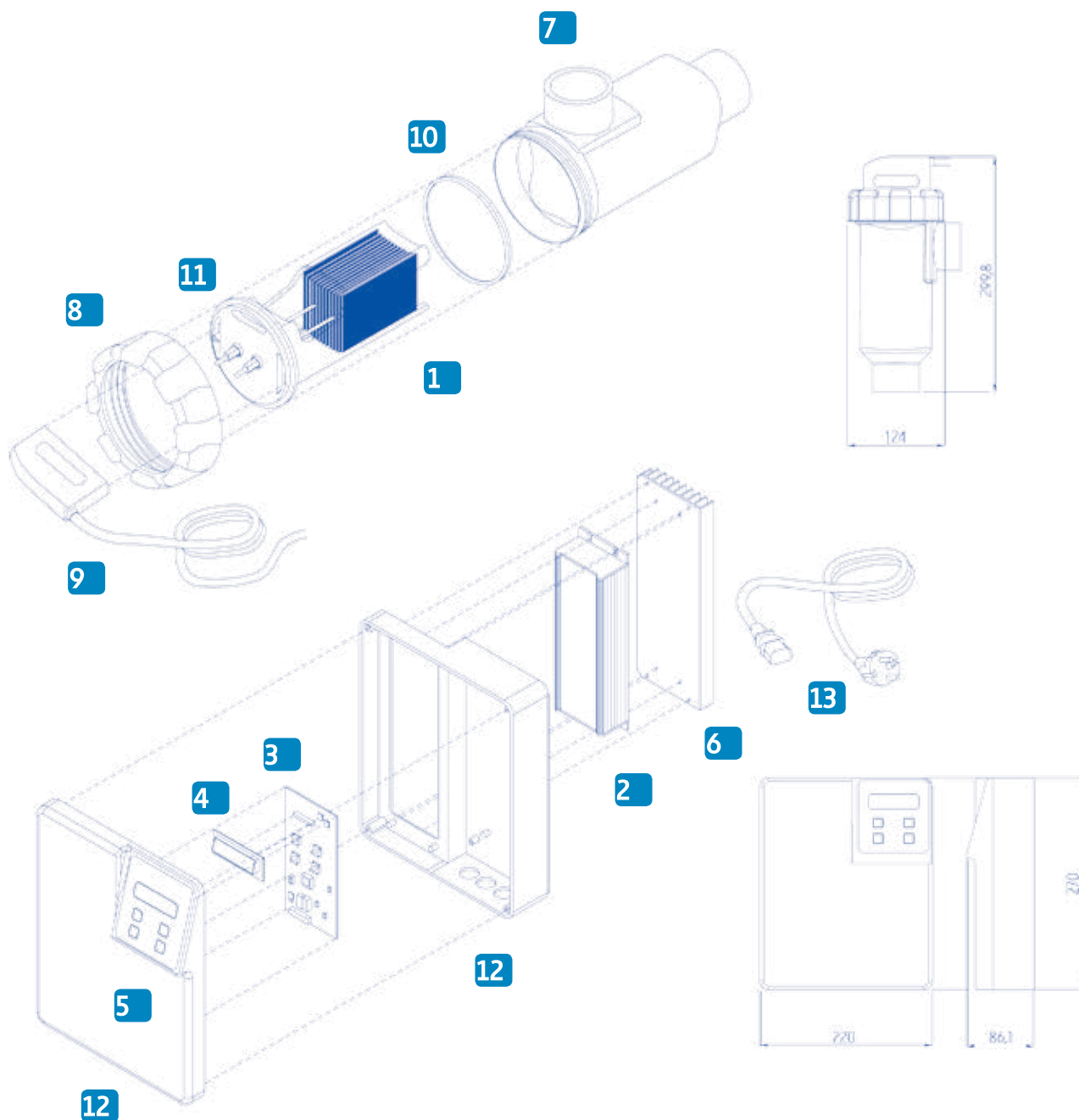


6

RECAMBIOS CLORADORES SALINOS DOMÉSTICOS Y SEMI-INDUSTRIALES

6.1. MODELOS AUTOLIMPIABLES SMC10-SMC20-SMC30 SELF-CLEANING MODELS SMC10-SMC20-SMC30



SPARE PARTS DOMESTIC AND SEMI-INDUSTRIAL SALT WATER CHLORINATORS

6

nº	Referencia Reference	Descripción Description
1	CELLSMC10	Célula bipolar SMC 10 Bipolar cell
1	CELLSMC20	Célula bipolar SMC 20 Bipolar cell
1	CELLSMC30	Célula bipolar SMC 30 Bipolar cell
2	FTALIM	Fuente de alimentación SMC Switch mode power supply
3	TJCONT	Tarjeta de control SMC Control board
4	LCD	Pantalla LCD SMC LCD Screen
5	TECLD	Teclado SMC Keypad
6	RAD	Radiador SMC Radiator
7	VAS	Vaso célula SMC Cell housing
8	ROSC	Rosca célula SMC Cell ring locking thread lock
9	CAB	Cable célula SMC Cell lead
10	JUNT	Junta vaso O'Ring cell housing
11	BOR	Bornes célula 2 unid+junta Cell connectors 2 pieces+o'ring
12	CUB	Cubierta y base caja Cover & base box
13	CAB ALIM	Cable de alimentacion Lead plug